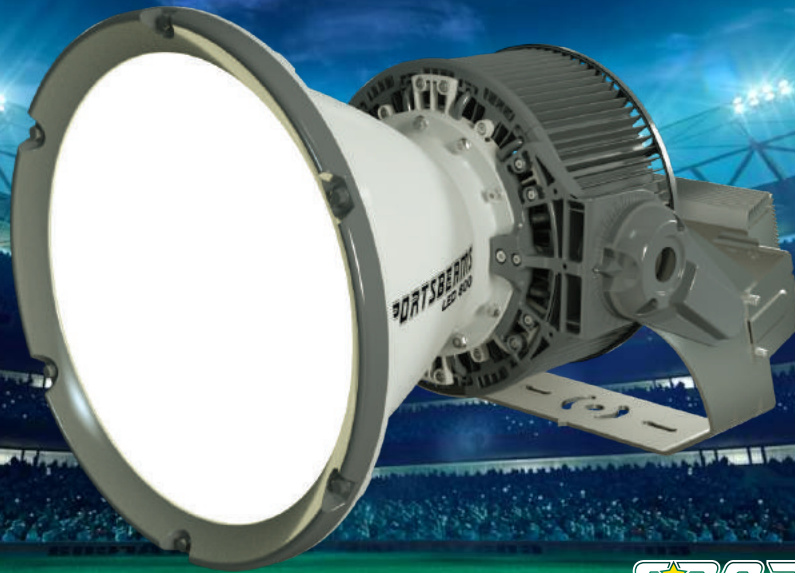


FIELD LED 800™



SPORTSBEAMS
LIGHTING UP THE SPORTS WORLD



NO GLARE

Athletes can see the action with our lights. Our single, glass optic lights every playing surface evenly with smooth, clear light.



90,000 LUMENS

The Sportsbeams Field LED 800 delivers a powerful 90,000 lumen beam efficiently and with significant control.



BI-COLOR TECHNOLOGY

Our Bi-Color LED 800 option operates in a temperature range of 2,700k to 6300k within the same fixture.



BROADCAST QUALITY

Our founders are experts in broadcast lighting (just ask Emmy®). They've put their years of expertise into our stadium lights so every uniform looks as good on TV as it does live.



ACTIVE COOLING SYSTEM

Our patented active cooling system reduces our weight fixture by over 40%, maintains constant 70 °C internal temperature, and allows for any mounting angle in more extreme environments.



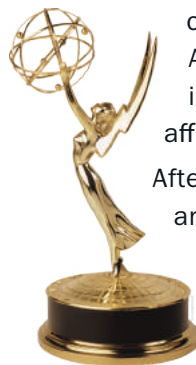
ADVANCED INTELLIGENCE

Each Field LED 800 is equipped with serious intelligence. It tracks lighting hours, fan speed, heat, output and more. Armed with its own MAC address, each light can be controlled individually or together.

KEY FEATURES:

- 800W LED illumination
- 90,000 lumens delivered
- No plastics used in the light path
- Ethernet connectivity for wireless or wired DMX control
- Glare-reducing, patented single glass optic for even field lighting
- High 90+ CRI color fidelity option
- Instant re-strike and dimming down to 1 watt
- IP-66 weather-tight housing & system
- Patented active cooling provides multiple levels of protection
- 100,000+ hour rated LEDs
- IP-67 proprietary power supply with surge protection

DECADES OF BROADCAST EXPERIENCE

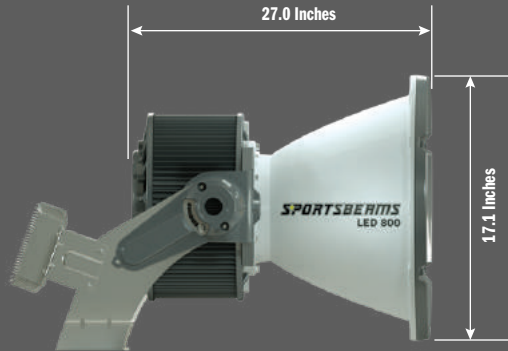
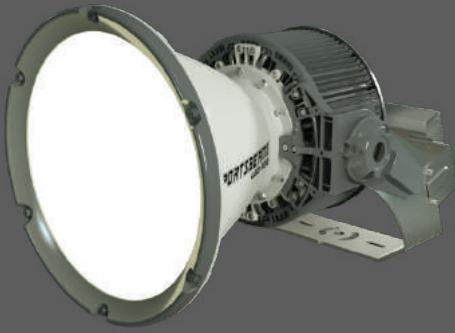


Our founders' extensive technical achievements of Sportbeams Founders include Emmy® Awards for LED lighting technology "so innovative in nature that they materially have affected the ...recording of television."

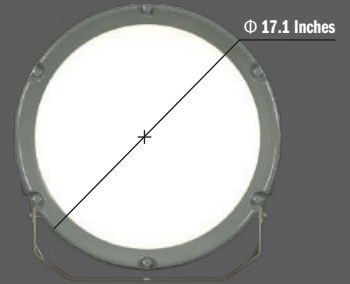
After leading the LED revolution for television and motion picture lighting for over a decade, including lighting major sporting events, television and sports broadcast studios, they bring their technological wizardry to the Sportsbeams Field LED 800™.

FIELD LED 800 SPECIFICATIONS

HORIZONTAL MOUNTING ANGLE RANGE: 0~70°, infinity
 VERTICAL MOUNTING ANGLE RANGE: 0~90°, infinity



NEMA 2, 3, 4, 5 SIDE VIEW



FRONT VIEW

GENERAL SPECIFICATIONS

NEMA	FIELD LED 800
BEAM TYPES	NEMA2, NEMA3, NEMA4, NEMA5
APPLICATION	Indoor/Outdoor Sports Lighting
IP GRADE	IP66
AMBIENT TEMPERATURE	-40 ° F to +155 ° F
CERTIFICATIONS	CE, ETL, ROHS, LM79, 3G

LIGHT ENGINE

CCT	2700k to 6300k (option)
CRI	70 80 90 (option)
LUMINAIRE EFFICIENCY	≥100M/W (70CRI)
DELIVERED LUMENS	90,000
FLICKER	<0.4%
DIMMING	0~100%
LUMEN MAINTENANCE (LED)	L70 ≥=100,000 hrs
DIMMING RESOLUTION	1W

MECHANICAL

DIMENSIONS	17.1" x 17.1" x 27.0"
MOUNTING	Yoke Mount
YOKE MATERIAL	High Grade Steel
PCB MATERIAL	MCPCB & FR4
LAMP HOUSING MATERIAL	Aluminum Alloy
LENS MATERIAL	Tempered Glass
LENS TYPE	Transparent & Diffusive
FIXTURE WEIGHT	36 lbs
WIND LOAD	EPA @ front=1.93 (ft2)

POWER SUPPLY

INPUT	Voltage Range	Single Phase 176V-305V
	Frequency Range	45-66 Hz
	PF	>0.95 @ 277V
	THD	<15%
	Inrush Current	<30A
	Rated Power with Fixture	800W±80
	Maximum Power	830W
OUTPUT	DC Voltage	48V
	Current Range	13A
PROTECTION	Overload	YES
	Over Voltage	YES
	Over Temperature	YES
	IP -Grade	IP-67
	Surge Protection	L-N 4000V, LN-PE 6000V

RELEVANT TODAY RELEVANT IN 20 YEARS

Every light we produce has the built-in intelligence to provide years of worry-free, multi-option performance for years to come.

- ★ No plastics in the light path. Any outdoor fixture that uses plastic lenses will experience significant light loss over the years.
- ★ IEEE 802 MAC address and built-in ethernet port for multiple communication options (wi-fi, DMX).
- ★ 2-way communication for monitoring light status and recording events.

Our high-quality light fixtures are covered covered by one or more of the following certifications:



SPORTSBEAMS
LIGHTING UP THE SPORTS WORLD