

LIGNE 5575T



Linear Micro Extrusion

Specifications

Output

Luminous Flux/m	Up to 2,500Lm
CCT	Various CCT's available
CRI	Ra80 or Ra90
Beam Angle	110°
Life Time	>50,000Hrs (Ta=30°C@L70)

Electrical

Input Voltage	24VDC
----------------------	-------

Construction

Product Dimension	55mm x 75mm
Housing	Aluminium
Optics	Frosted, Clear or Milky
Finish	Aluminium, Black or White, Custom colours available
IP Rating	IP20
Mounting	Recessed

Control

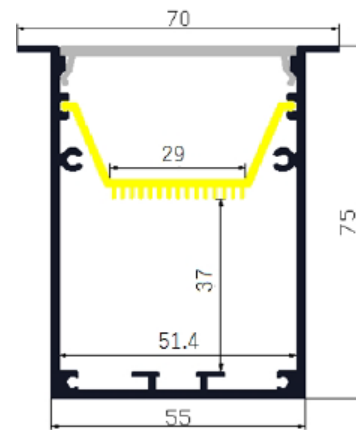
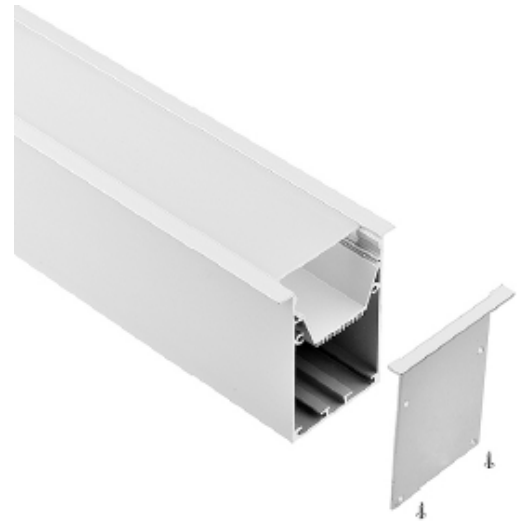
Dimmable	Various Dimming Profiles Available
-----------------	------------------------------------

Thermal

Operating Temperature	-20°C to + 40°C
------------------------------	-----------------

Warranty

Years	5
--------------	---



Catalogue Number Guide: FLM5575T

Refer to Forlite sales consultant for customised ordering

CASAMBI



A 53 Stanley Street, West Melbourne Victoria 3003
P 1300 897 287
E lightingsales@sk.com.au

SKSLIGHTING.COM.AU

ABN 17 006 659 294
ASX: ENE



FS665083

SKS Lighting reserve the right to change specifications without notice.